

# ADA Aperture - Cast Glass 10"



WAL-098

## MATERIALS

Brass, Glass

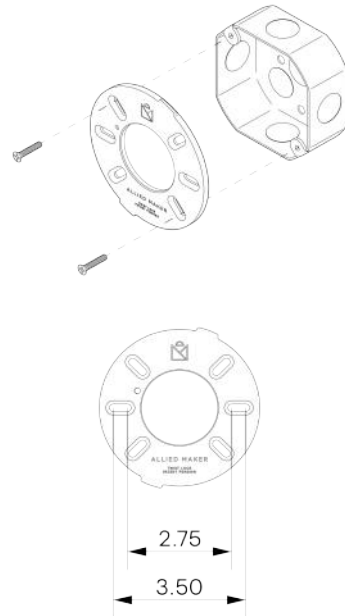
## METAL FINISHES

Available in All Standard Metal Finishes

## GLASS FINISHES

Cast Concentric

## MOUNTING HARDWARE DIAGRAM



## MOUNTING

4" J-Box only. Minimum 1.25" depth

## WEIGHT

4.5 lb

## LAMPING

E12 or E14 Screw Base. Type G16.5 Lamps

## BULB INCLUDED (120V USA)

Feit 5.5W E12 Bulb

## BULB INCLUDED (240V EU)

Tala 5W Globe 240V Bulb

## LAMP QUANTITY

1

## BRIGHTNESS

500 Lumens

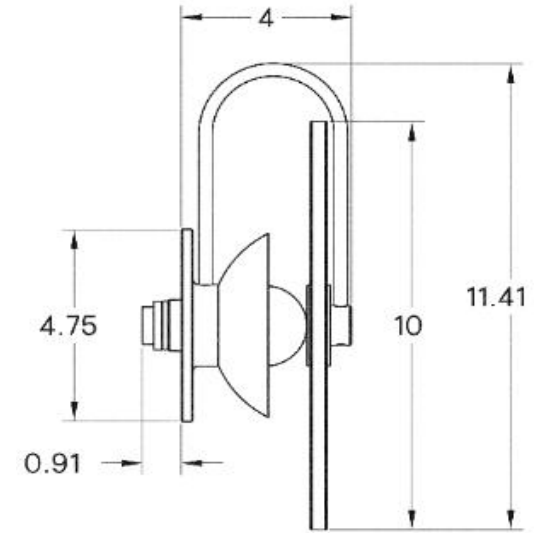
## MAX WATTAGE

40W

## DIMMING

LED+

## DIMENSIONAL DRAWING



## CERTIFICATIONS

ADA Compliant, CE, Damp Locations, UL and cUL Certified

