

ADA Alabaster Sconce 10"


ALLIED MAKER

WAL-004



ADA Alabaster Sconce 10"



WAL-004

DESCRIPTION

A scaled version of our Aperture Sconce with an Alabaster diffuser. Under 4" in depth to meet standards of the Americans with Disabilities Act for commercial walkways.

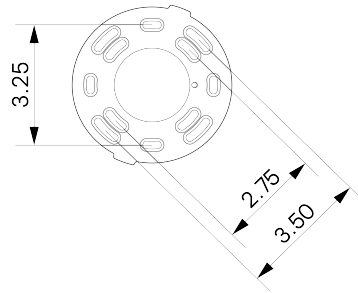
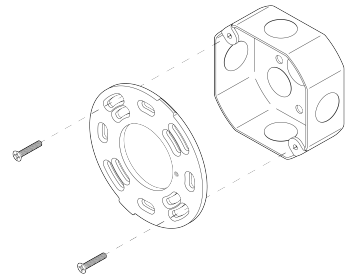
MATERIALS

Alabaster, Brass

METAL FINISHES

Available in All Standard Metal Finishes

MOUNTING HARDWARE DIAGRAM



MOUNTING

4" J-Box only. Minimum 1.25" depth

WEIGHT

5.5 lb

LAMPING

E12 or E14 Screw Base. Type G16.5 Lamps

BULB INCLUDED (120V USA)

Feit 5.5W E12 Bulb

BULB INCLUDED (240V EU)

Tala 5W Globe 240V Bulb

LAMP QUANTITY

1

BRIGHTNESS

500 Lumens

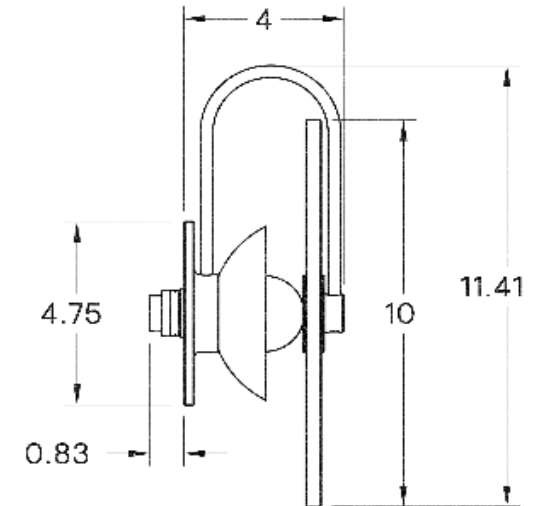
MAX WATTAGE

40W

DIMMING

LED+

DIMENSIONAL DRAWING



CERTIFICATIONS

ADA Compliant, CE, Damp Locations, UL and cUL Certified

