

A-Frame Half Dome 20"



CEI-002



A-Frame Half Dome 20"



CEI-002

DESCRIPTION

This hand-spun 20" dome is meticulously brushed and waxed to a matte satin finish. The piece is finished with a matching metal canopy and two-tone wooden dowel, turned on a lathe and finished with natural oils. The dowel is custom made in a variety of exotic woods and provides simple structural support for the A-frame. UL Certified.

MATERIALS

Brass, Glass, Wood

METAL FINISHES

Available in All Standard Metal Finishes

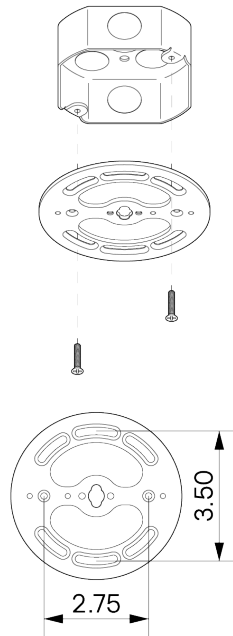
GLASS FINISHES

Matte White, Opal

WOOD FINISHES

Available in All Standard Wood Finishes, Walnut Maple

MOUNTING HARDWARE DIAGRAM



MOUNTING

Universal

WEIGHT

19.25 lb

LAMPING

E26 or E27 Screw Base. Type A Lamps

BULB INCLUDED (120V USA)

Cree 75W Bulb

BULB INCLUDED (240V EU)

Emery Allen 8.5W 240V Bulb

LAMP QUANTITY

1

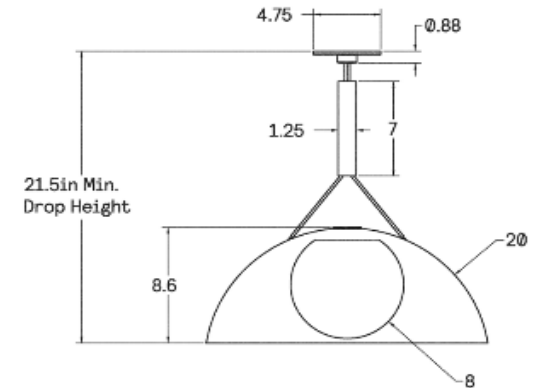
BRIGHTNESS

800 Lumens

DIMMING

Universal

DIMENSIONAL DRAWING



CERTIFICATIONS

CE, Damp Locations, UL and cUL Certified

