

# Highline 4' (2 head)

Pendants



50 Greene St  
New York NY 10013  
T +1 212 388 1621  
sales@rbw.com



For 2D & 3D drawings of all products, including CAD, Revit and IES files, please visit [rbw.com](http://rbw.com)

**DESCRIPTION**

Highline's slim, suspended beam pairs with three distinct fixture options. Choose the sleekness of the cone pendant, the versatile dual-axis swivel of a spotlight, or the warmth of the felt shade made from 90% post-consumer fibers. Pair with a linear uplight that casts a diffuse glow.

**LED LIFESPAN**

50000 hr

**CERTIFICATION**

UL Listed



**PRODUCT DIMENSIONS**

Dimensions vary for this Product. Please refer to Downloads for dimensions

---

**YOUR PRODUCT CODE**

**HL-42-2-3-N-27-LV**

---

Specification Logic

**HEAD ONE**

---

Cone Light Pendant	1
Cone Light Pendant w. Felt Shade	2
Spotlight	3

**HEAD TWO**

---

Cone Light Pendant	1
Cone Light Pendant w. Felt Shade	2
Spotlight	3

**UPLIGHT**

---

No uplight	N
Uplight	U

**COLOR TEMPERATURE**

---

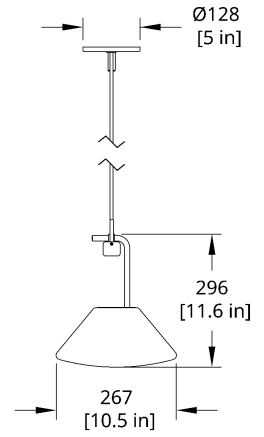
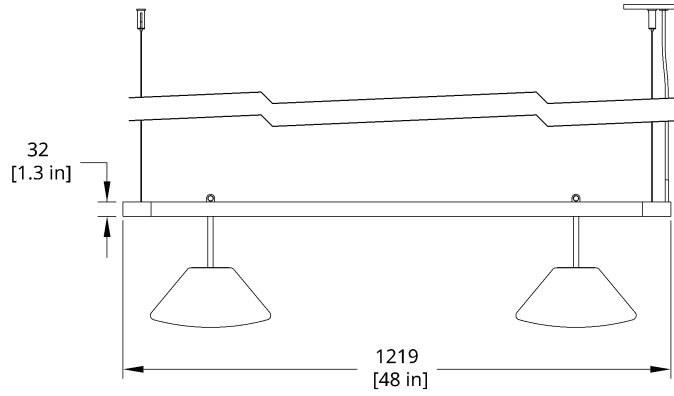
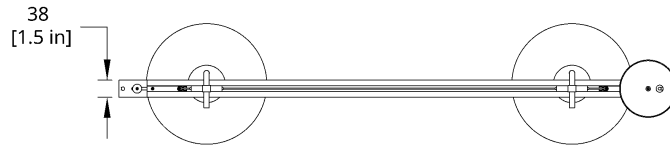
2700K (warm white)	27
3000K (soft white)	30
3500K (neutral white)	35
4000K (cool white)	40

**DIMMING / CONTROL / INPUT**

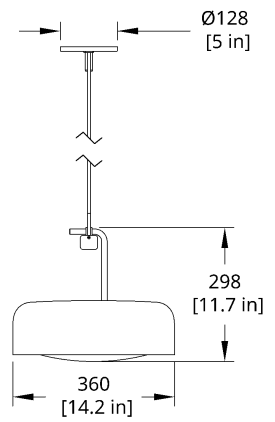
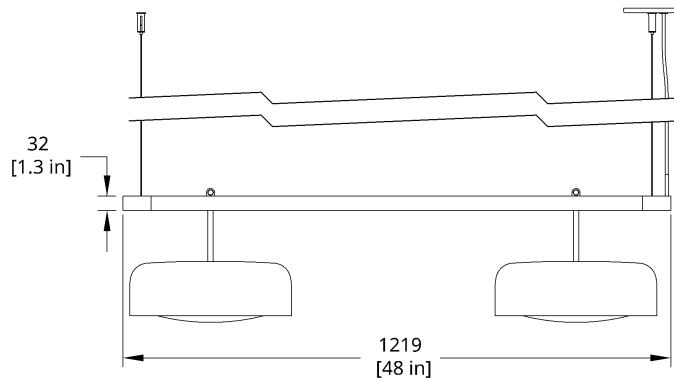
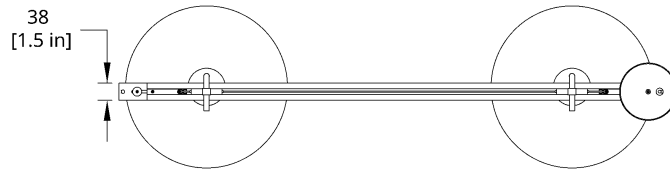
---

1% Dimming, 0-10V Control, 120V or 277V "Universal Input"	1_10V_UNV
Low Voltage (Driver required, driver not included)	LV

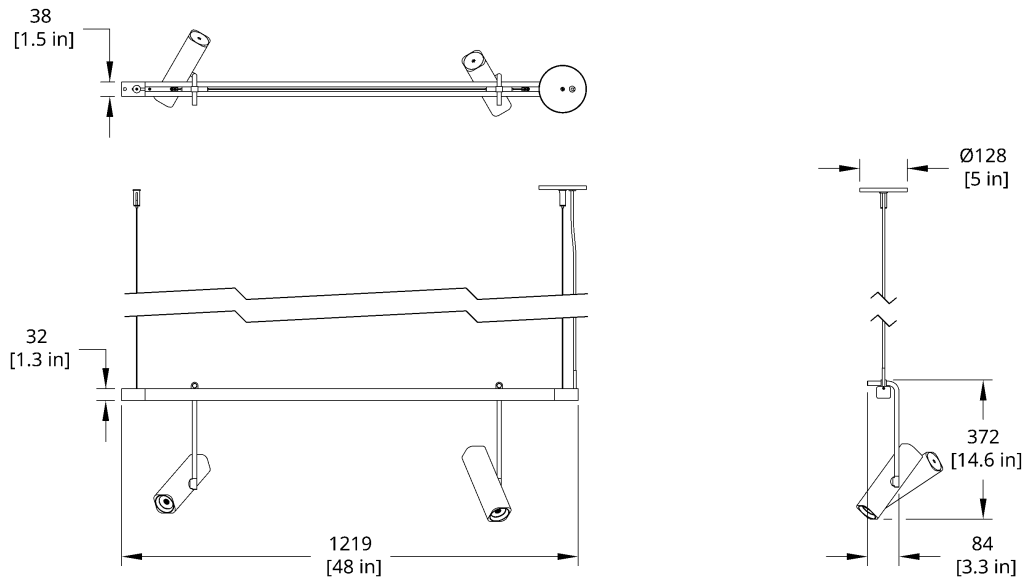
Drawings



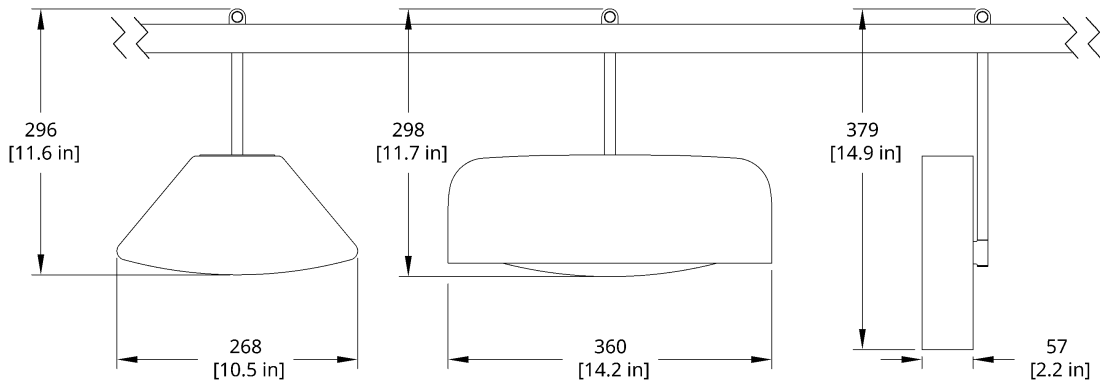
HL Highline 4' 2 Head (Cone Light Pendant)



HL Highline 4' 2 Head (Cone Light Pendant w. Felt Shade)



HL Highline 4' 2 Head (Spotlight)



Highline 3 Head Types