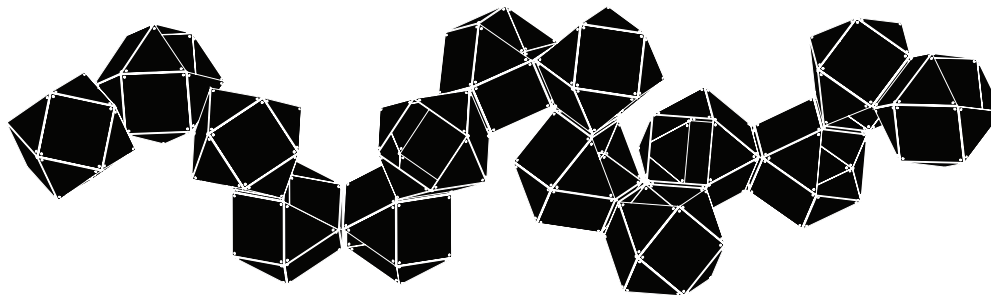

WELLES

Long Chandelier



GABRIEL SCOTT
EST 2012



www.GabrielScott.com

triode

28 rue Jacob 75006 Paris contact@triodedesign.com
+33 (0)1 43 29 40 05 www.triodedesign.com

WELLES

Long Chandelier

1/14

Made up of a sequence of interconnected geometric shapes, the WELLES is a modular and customizable lighting-system that forms sculptural and organic shapes in all its various configurations and silhouettes.

From long branches to large clusters, the nature of this metallic light-fixure allows for infinite silhouette options.

All Gabriel Scott pieces are handmade in Canada.



WELLES

Long Chandelier

2/14



WELLES

Long Chandelier

3/14



GABRIEL SCOTT

EST. 2012



372 Broome Street, New York, NY 10013
(212) 837-2923 • info@GabrielScott.com

www.GabrielScott.com

WELLES

Long Chandelier

4/14





WELLES

Long Chandelier

5/14

Spec sheet

Product name:	Welles Long Chandelier
Standard Leadtime:	12 - 14 weeks
Dimensions:	This is a modular fixture, see pages below for more information
Light Source:	12V 3 Watt LED bulb (included)
Standard Cable length:	96" Drop, adjustable upon installation (increased cable-lengths available upon request)
LED driver:	E60R12DC (110V)  UVC1250TD (220V) 
Weight:	3lbs per cube

Standard Finishes

Standard cube finish options:

from left to right:

White / Satin Brass
White / Satin Copper
White / Satin Nickel



from left to right:

Black / Satin Brass
Black / Satin Copper
Black / Satin Nickel



from left to right:

Satin Brass
Satin Copper
Satin Nickel



Standard 5" canopy & monopoint finish options:



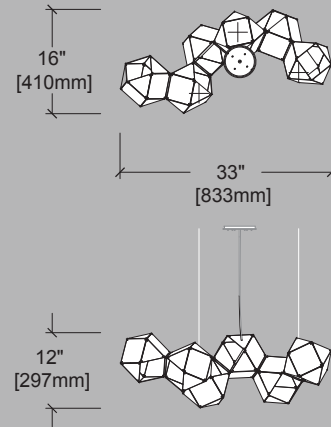
Satin Brass Satin Copper Satin Nickel Matte White Blackened Steel

WELLES

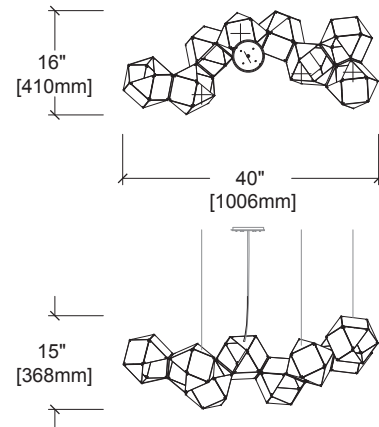
Long Chandelier

6/14

6x
33" LONG



8x
40" LONG



GABRIEL SCOTT

EST. 2012



372 Broome Street, New York, NY 10013
(212) 837-2923 • info@GabrielScott.com

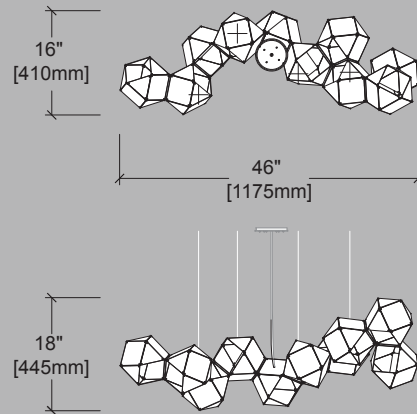
www.GabrielScott.com

WELLES

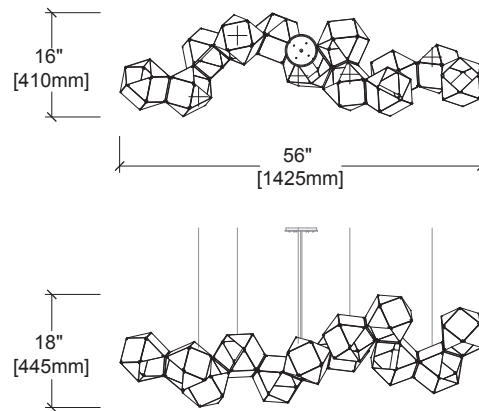
Long Chandelier

7/14

10x
46" LONG



12x
56" LONG



GABRIEL SCOTT

EST. 2012



372 Broome Street, New York, NY 10013
(212) 837-2923 • info@GabrielScott.com

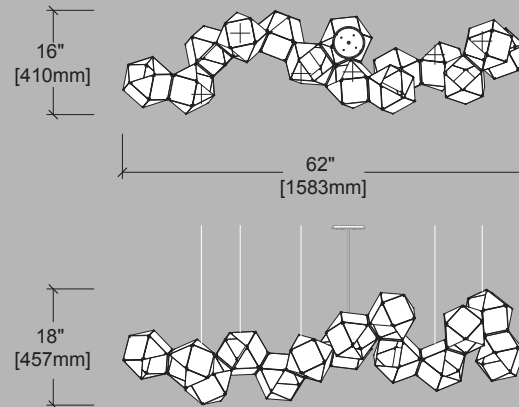
www.GabrielScott.com

WELLES

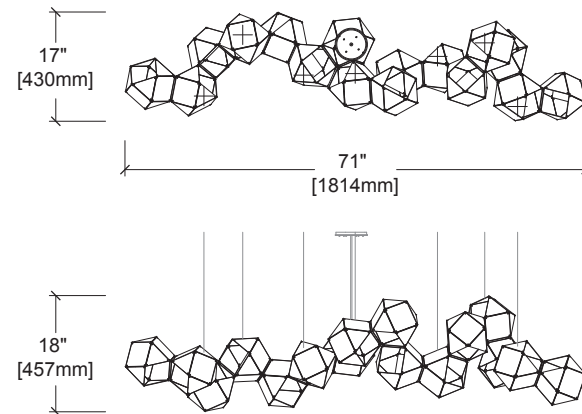
Long Chandelier

8/14

14x
62" LONG



16x
71" LONG



GABRIEL SCOTT

EST. 2012



372 Broome Street, New York, NY 10013
(212) 837-2923 • info@GabrielScott.com

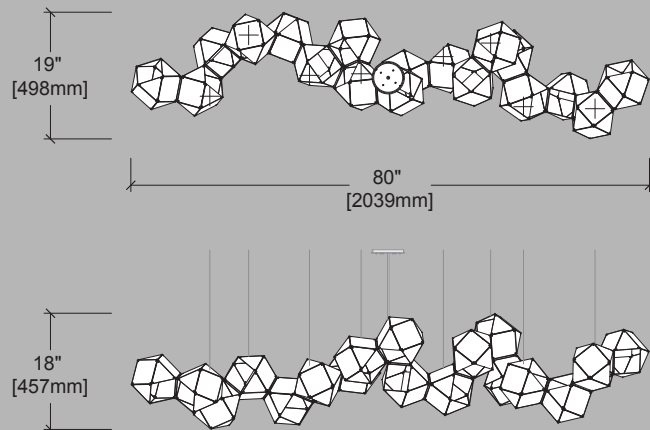
www.GabrielScott.com

WELLES

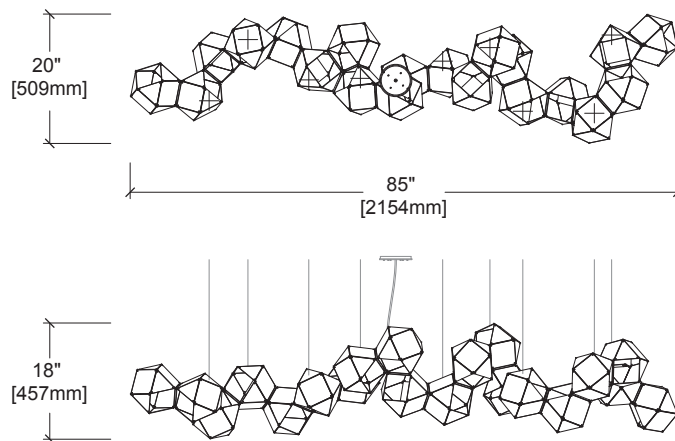
Long Chandelier

9/14

18x
80" LONG



20x
85" LONG



GABRIEL SCOTT

EST. 2012



372 Broome Street, New York, NY 10013
(212) 837-2923 • info@GabrielScott.com

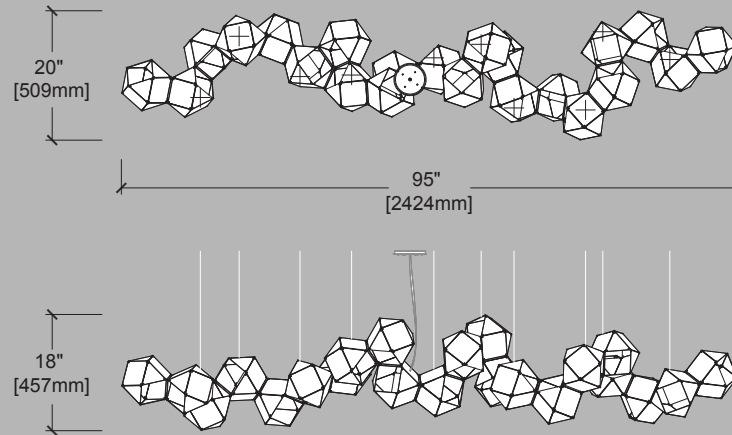
www.GabrielScott.com

WELLES

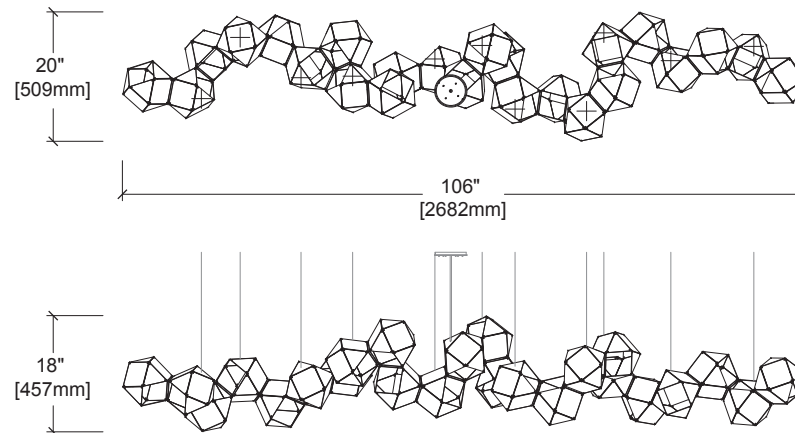
Long Chandelier

10/14

22x
95" LONG



24x
106" LONG



GABRIEL SCOTT

EST. 2012



372 Broome Street, New York, NY 10013
(212) 837-2923 • info@GabrielScott.com

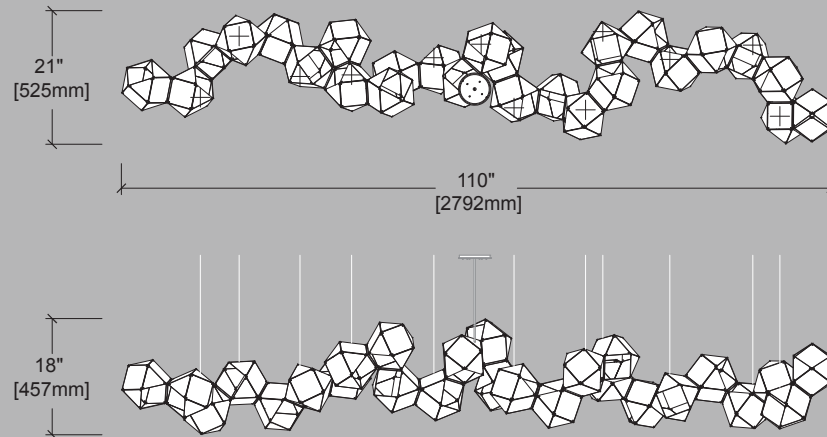
www.GabrielScott.com

WELLES

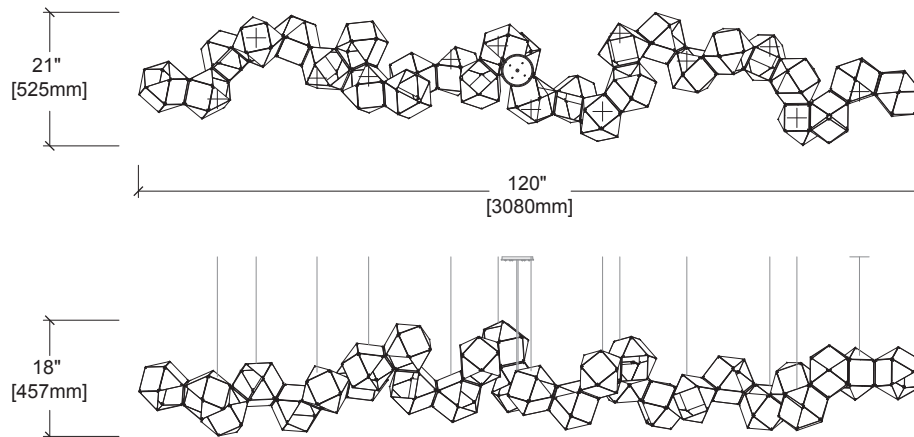
Long Chandelier

11/14

26x
110" LONG



28x
120" LONG



GABRIEL SCOTT

EST. 2012



372 Broome Street, New York, NY 10013
(212) 837-2923 • info@GabrielScott.com

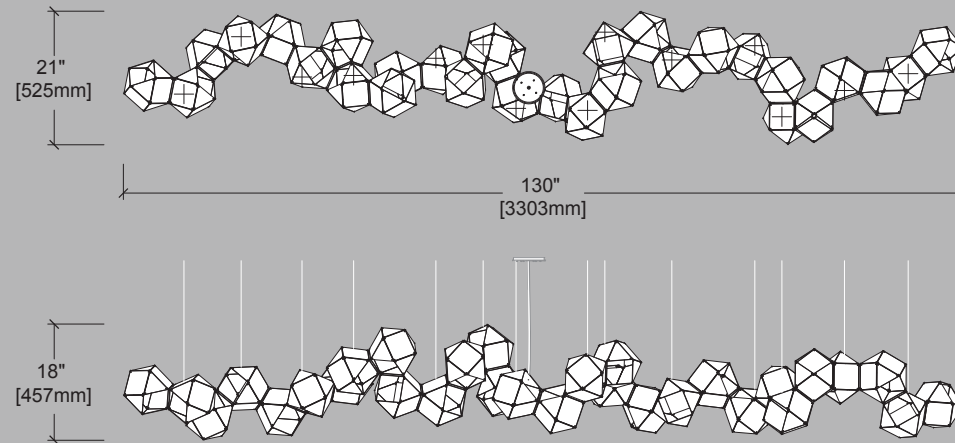
www.GabrielScott.com

WELLES

Long Chandelier

12/14

30x
130" LONG



Note:

This modular fixture's length can be customized to fit any specified dimensions.

The canopy can be centre or end justified.

North America (110V): 1 Driver is required for every 32 volumes.

Europe (220V): 1 Driver is required for every 14 volumes.

Driver placement should be considered.



LED DRIVER

E60R12DC 110V

13/14

60W 12V DC LED Class 2 Driver for 110V

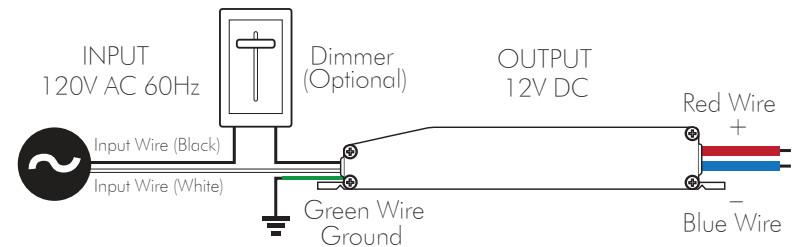
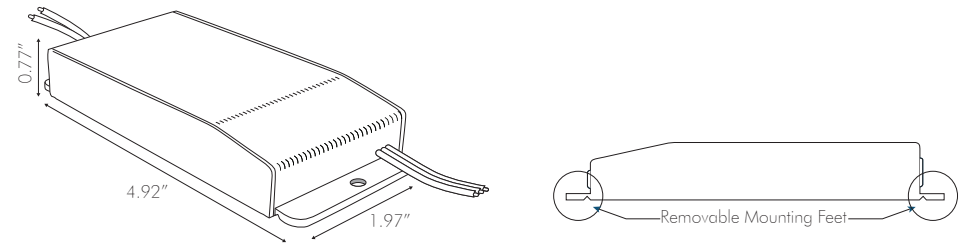
Features:

Dimmable with any standard MLV/Incandescent TRIAC - (Leading edge) dimmer switch
Super compact ALUMINUM CASE
Class 2UL 8750IP67 - Withstands wet and salty conditions
Auto-Reset Protection for short circuits & over-voltage
FCC 15 part 212V DC
True RMS

Specifications:

Max Load	60W
Input Voltage	120V AC
Input Current at Max Load	0.61 A
Output Voltage	12V DC
Output Current at Max load	5A
Power Factor	0.95
Efficiency	> 90 %
Operating Temp.	-20c ~ 70c (-4F ~ 158F)
Overcurrent	Yes
Over temperature	Yes
Open circuit protection	Yes
Input Wires (White / Black)	18 AWG
Output Wires (Red / Black)	14 AWG
Dimensions	4.92" x 1.97" x 0.77"
Weight	9 oz

Magnitude's E60R12DC dimmable voltage LED driver is class 2 rated and designed to operate with any standard MLV/Incandescent TRIAC (Leading edge) dimmer switch. The driver's low profile aluminum case makes it the perfect choice for under cabinet lights, tape lights and various LED fixtures installations. Our electrical specification includes Auto Reset, over current and short circuit protection. Efficiency of 90% and higher allows the driver to operate at low temperatures.



*For smooth dimming 8W minimum load is required

LED DRIVER

UVC50TD 220V



14/14

50W Constant Voltage Triac Dimming LED Driver for 220V

Specifications:

Input voltage	220V - 240VAC
Input frequency	50 - 60 Hz
Input current	0.4A
Inrush current	<2.5A
Power factor	0.95
Output load Voltage	12V
Output current	4.16A
Output power	50W
Power factor	>0.95
Efficiency TYP	>80%

Protection:

Overload	Auto recovery
Short circuit	Auto recovery
Over Voltage	Auto recovery

Environment:

Operating temp	-20c - +50c
Storage temp	-40c - +70c
Relative humidity	5 - 95 %

Safety Standard:

Design refers to EN60598, EN61547, ENV55024, EN61000-4-2, 3, 4, 6, 8,11, EN61000-3-2, EN61000-3-3

EMI Standard:

Meets Emissions to EN55022, EN55015 Class B

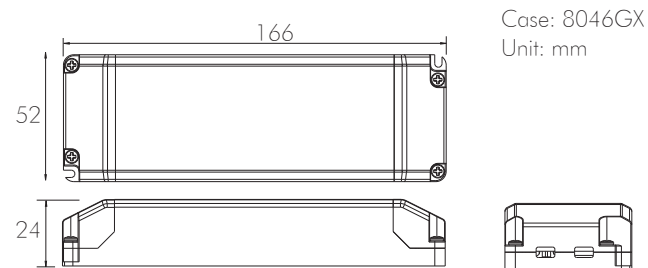
Weight:

200g

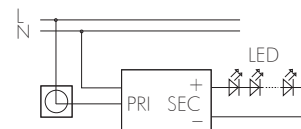
Features:

- Constant voltage output
- Fully isolated
- Short circuit, over current and over voltage protection up to 80% efficient
- Fire resistant plastic cover
- Compatible with leading and trailing edge dimmers
- 20 ~ 100% Dimming Load
- 10 ~ 100% Dimming range
- Mains dimmable
- Screw terminals
- IP44 design for indoor use
- 2 years warranty

Mechanical Diagram



LED Configuration



GABRIEL SCOTT

EST 2012



372 Broome Street, New York, NY 10013
(212) 837-2923 • info@GabrielScott.com

www.GabrielScott.com