

BEDSIDE CARAFES

1



2



3



4



BEDSIDE CARAFES



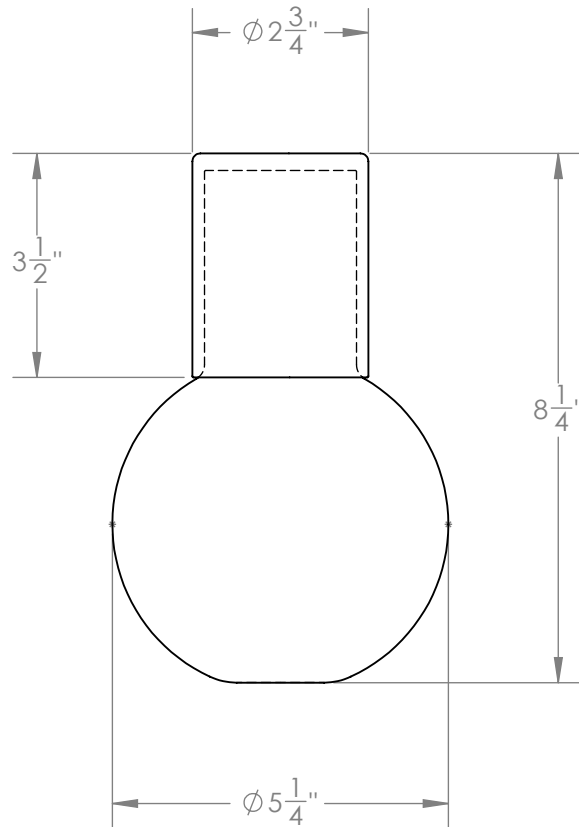
CLEAR BEDSIDE CARAFE



BEDSIDE CARAFE



Made from hand-blown glass, these carafes are perfect for bedside use. The carafe top doubles as a cup.



Materials

Glass

Standard Finishes

1. Pale Purple Base + Pale Green Cup
2. White Base + Yellow Cup
3. Pale Pink Base + Mint Green Cup
4. Pale Green Base + Blue Cup
5. Clear Glass

Notes

Holds 1300ml to cylinder neck.

Lead Time

Please check stock.

triode