

WORKSTEAD



LODGE PENDANT
oxidized ash

WORKSTEAD



LODGE PENDANT
natural oak

WORKSTEAD



LODGE PENDANT
painted white

WORKSTEAD

LODGE PENDANT

hardwired

Description

The LODGE PENDANT is an elongated wooden column made up of three slender turned-wooden forms, and a central metal rod. A metal ball joins a delicate network of tubing and three radiant bulbs. Available in three standard overall heights. Custom heights available. UL Listed. Damp Rated.

Finish Options

Natural Oak
Oxidized Ash
Painted White
Hewn Brass
Blackened Steel

Dimensions

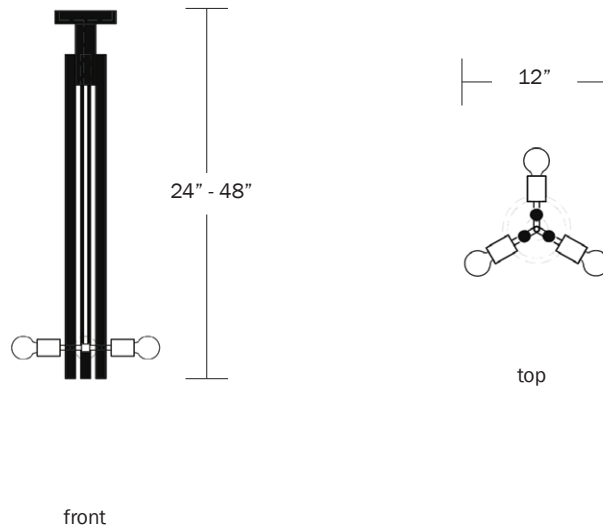
Small - 24"
Medium - 36"
Large - 48"
Canopy Diameter - 6"
Custom Heights Available

Weight

15 lbs

Lamp

60 Watt Incandescent Max
(3) Tala Sphere I E12 Bulbs Included
2" Diameter | 3.8 Watts
220 Total Lumens
2000-2800K Color Temperature
Bulb Life 30,000 Hours
110/120V, E12
220/240V, E14
UL/CE Listed
Damp Rated



WORKSTEAD

