

# WORKSTEAD

28, rue Jacob 75006 Paris  
+33 (0)1 43 29 40 05

contact@triodedesign.com  
www.triodedesign.com



**CHAMBER SCONCE**  
Hewn Brass

# WORKSTEAD

28, rue Jacob 75006 Paris  
+33 (0)1 43 29 40 05

contact@triodedesign.com  
www.triodedesign.com



**CHAMBER SCONCE**  
Nickel

# WORKSTEAD

28, rue Jacob 75006 Paris  
+33 (0)1 43 29 40 05

contact@triodedesign.com  
www.triodedesign.com



**CHAMBER SCONCE**  
Hand Finished Bronze

triode<sup>3</sup> design

**WORKSTEAD**

—  
28, rue Jacob 75006 Paris  
+33 (0)1 43 29 40 05

—  
contact@triodedesign.com  
www.triodedesign.com



**CHAMBER SCONCE**  
Hewn Brass

# WORKSTEAD

28, rue Jacob 75006 Paris  
+33 (0)1 43 29 40 05

contact@triodedesign.com  
www.triodedesign.com



**CHAMBER SCONCE**  
Hewn Brass

# WORKSTEAD

## CHAMBER SCONCE

hard-wired or plug-in

### Description

The Chamber Sconce incorporates an adjustable metal shade that conceals or reveals light, by degree. Composed of square brass tubing supporting a formed sculptural shroud, the fixture is suitable for a myriad of applications given its adjustable nature.

### Finish Options

Hewn Brass  
Nickel  
Hand Finished Bronze  
Nude or Black Cloth Cord

### Dimensions

Height - 14"  
Depth - 5-1/2"  
Diameter of Shroud - 3"  
Bulb - 2"

### Weight

10 lbs

### Lamp

60-Watt Max  
5W Dimmable LED Bulb Included  
325 Lumens  
40-Watt Equivalent  
2700K Color Temperature  
Bulb Life 30,000 Hours  
110/120V, E12  
220/240V, E14  
UL /CE Listed

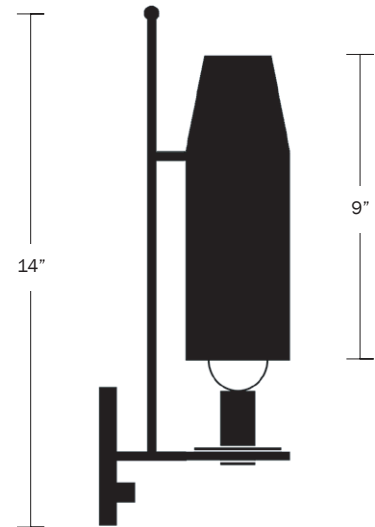
3"

5 - 1/2"



5-1/4"

front



side