



HANDMADE  
IN U.S.A.

## ADA Alabaster Sconce

WAL-004

A scaled version of our Aperture Sconce with an Alabaster diffuser. Under 4" in depth to meet standards of the Americans with Disabilities Act for commercial walkways.

### Metal Finish Options

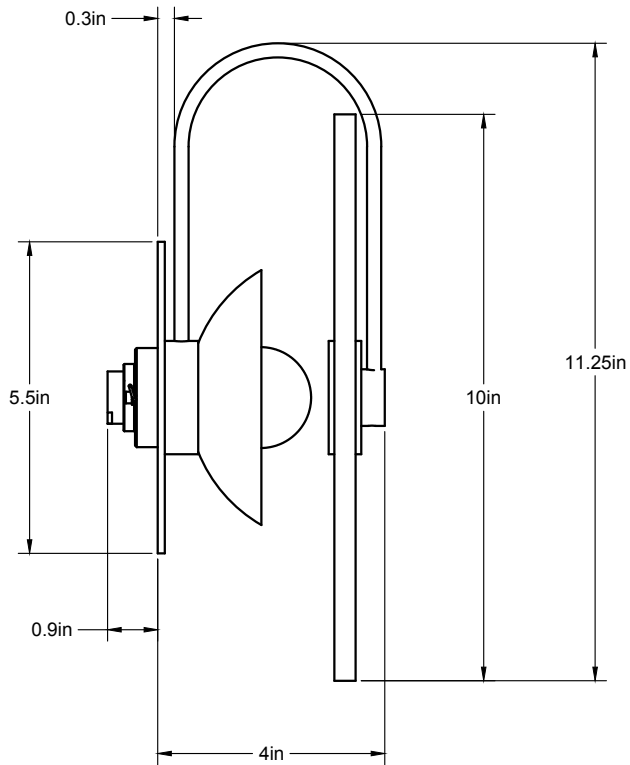
Available in any Allied Maker metal finish

—  
triode<sup>3</sup> design

—  
28, rue Jacob 75006 Paris  
+33 (0)1 43 29 40 05

—  
contact@triodedesign.com  
www.triodedesign.com





triode<sup>3</sup> design

28, rue Jacob 75006 Paris  
+33 (0)1 43 29 40 05

contact@triodedesign.com  
www.triodedesign.com



### Lamping

120V - E12 Base  
240V - E14 Base

### Bulb Included

**G50 Tala LED**  
5W LED  
275 Total Lumen Output  
2700K / 90 CRI  
E12 Base / Dimmable / 120 Volt  
240V available upon request

### J-Box Requirements

Fits all standard  
junction boxes with  
at least 1.25" depth

### Certifications

cUL Damp locations

### Materials

Machined Brass,  
Alabaster

### Weight

5.75 lbs

triode<sup>3</sup> design

28, rue Jacob 75006 Paris  
+33 (0)1 43 29 40 05

contact@triodedesign.com  
www.triodedesign.com

