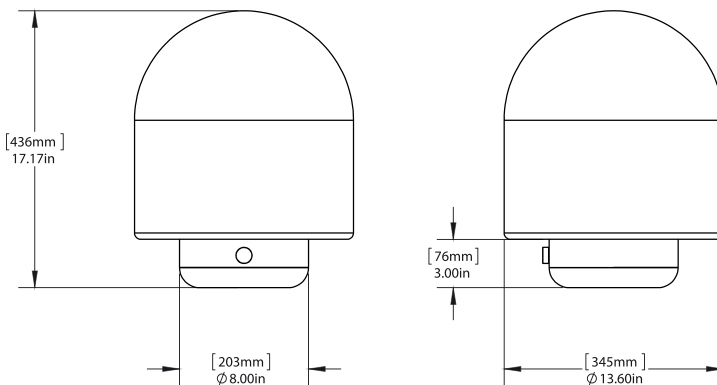
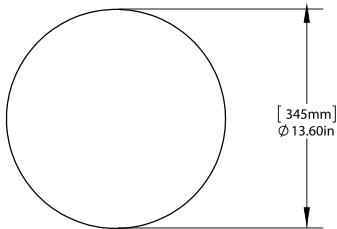


# Puffball Table Lamp



Puffball, a collection of four lamps, draws inspiration from the rounded caps and columned stalks of wild mushrooms and toadstools. The chunky silhouettes, made of raw fiberglass and tumbled aluminum, give off a warm luminescent glow.

<b>Designer</b>	Faye Toogood, 2017
<b>Collection</b>	Puffball
<b>Product Type</b>	Table Lamp
<b>Dimensions</b>	Dia 13.6" x H 17.17" Dia 34.5cm x H 43.6cm
<b>Materials</b>	Aluminum, Fiberglass, LED bulb
<b>Finishes</b>	● Tumbled Aluminum ● Raw Fiberglass
<b>Light Source</b>	GU10 LED Bulb 95 CRI
<b>Wattage</b>	9W
<b>Voltage</b>	120V / 220V
<b>Color Temperature</b>	2700k / 3000k
<b>Lumens</b>	465
<b>Dimming</b>	Knob on Base
<b>Packaging Dimensions</b>	Wooden Crate L 20" x W 20" x H 22" L 50.8cm x W 50.8cm x H 55.9cm
<b>Lead Time</b>	10-12 weeks



triode<sup>3</sup> design

28, rue Jacob 75006 Paris  
+33 (0)1 43 29 40 05

contact@triodedesign.com  
www.triodedesign.com