



JOHN POMP

CALLA MOBILE

—  
triode<sup>3</sup> design

—  
28, rue Jacob 75006 Paris  
+33 (0)1 43 29 40 05

—  
contact@triodedesign.com  
www.triodedesign.com

# CALLA MOBILE

MODEL NO JPSCM-01

Hand-blown, sculpted glass crystal pieces balanced from solid brass mobile

## AS SHOWN (IN PHOTO)

9 clear with iridescence glass crystal pieces balanced from oxidized brass mobile

## DIMENSIONS

*Available in four sizes:*

- 3 glass pieces - approx. dimensions 60"L x 36"W
- 5 glass pieces - approx. dimensions 84"L x 48"W
- 7 glass pieces - approx. dimensions 108"L x 60"W
- 9 glass pieces - approx. dimensions 120"L x 84"W

## ELECTRICAL

6w incandescent bulb per socket provided

## AVAILABLE FINISHES

Glass - see glass finish list  
Metal - satin brass (standard), oxidized brass, satin nickel, oil rubbed blackened steel or light oil rubbed blackened steel

## ADDITIONAL NOTES

Lead time is 10-12 weeks

Lighting sculpture signed by artist. Custom piece can be commissioned by artist upon request.

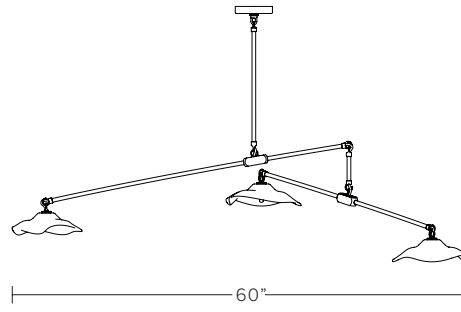
As per design intent, fixture may balance at angles different from what is shown and arms will reposition slightly if contact is made.

All dimensions listed are approximate and should be considered +/- 6".

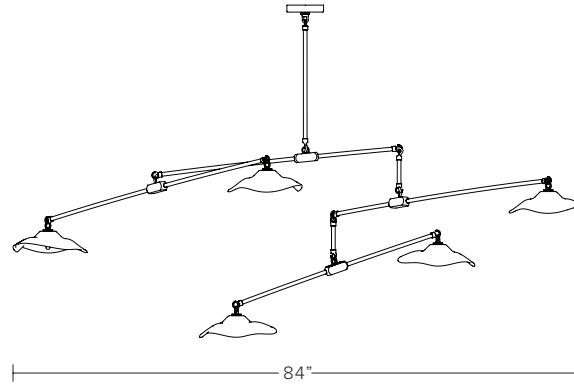
UL listing included.



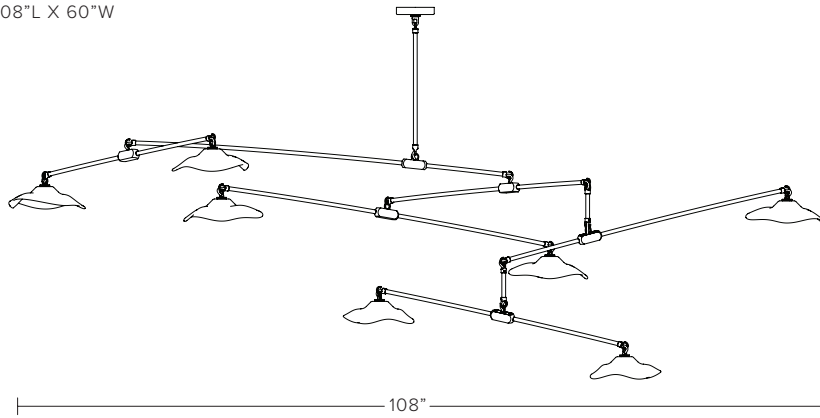
3 PIECE, 60"L X 36"W



5 PIECE, 84"L X 48"W



7 PIECE, 108"L X 60"W



9 PIECE, 120"L X 84"W

